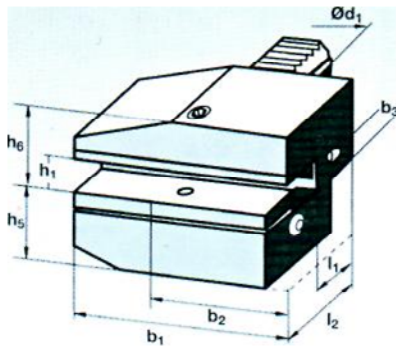


**VDI Takım Tutucu DIN 69880**  
**VDI Holder DIN 69880**  
**VDI Werkzeughalter DIN 69880**

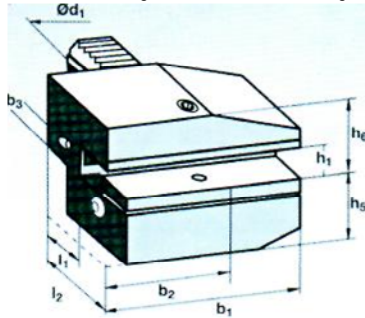


**Radyal kater tutucu ters sağ tip , uzun**  
*Radial - Toolholder inverted right , long*  
 Radial - Werkzeughalter invertiert rechts, lang



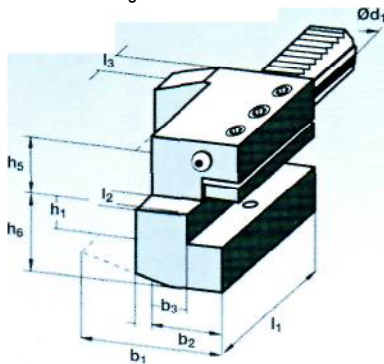
Tutucu Kod No: Code No:		DIN 69880	d <sub>1</sub>	b <sub>1</sub>	b <sub>2</sub>	b <sub>3</sub>	h <sub>1</sub>	h <sub>5</sub>	h <sub>6</sub>	l <sub>1</sub>	l <sub>2</sub>	
VDI 39	72 306	B7 - 30 x 20 x 40	30	100	65	10	20	28	38	22	40	
	72 308	B7 - 30 x 20 x 60	30	100	65	10	20	28	38	42	60	
	72 310	B7 - 40 x 25 x 44	40	118	75.5	12.5	25	32.5	48	22	44	
	72 312	B7 - 50 x 32 x 55	50	130	80	16	32	35	60	30	55	
	72 314	B7 - 60 x 40 x 60	60	145	82.5	16	32	35	62.5	30	60	

**Radyal kater tutucu ters sol tip , uzun**  
*Radial - Toolholder inverted left , long*  
 Radial - Werkzeughalter invertiert linke, lange



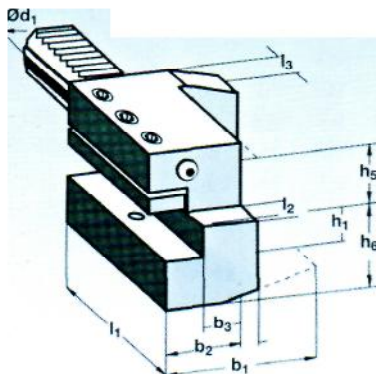
Tutucu Kod No: Code No:		DIN 69880	d <sub>1</sub>	b <sub>1</sub>	b <sub>2</sub>	b <sub>3</sub>	h <sub>1</sub>	h <sub>5</sub>	h <sub>6</sub>	l <sub>1</sub>	l <sub>2</sub>	
VDI 39	72 356	B8 - 30 x 20 x 40	30	100	65	10	20	28	38	22	40	
	72 358	B8 - 30 x 20 x 60	30	100	65	10	20	28	38	42	60	
	72 360	B8 - 40 x 25 x 44	40	118	75.5	12.5	25	32.5	48	22	44	
	72 362	B8 - 50 x 32 x 55	50	130	80	16	32	35	60	30	55	
	72 364	B8 - 60 x 40 x 60	60	145	82.5	16	32	35	62.5	30	60	

**Aksiyal kater tutucu ters sağ tip**  
*Axial - Toolholder inverted right*  
 Axial - Werkzeughalter invertiert rechts



Tutucu Kod No: Code No:		DIN 69880	d <sub>1</sub>	b <sub>1</sub>	b <sub>2</sub>	b <sub>3</sub>	h <sub>1</sub>	h <sub>5</sub>	h <sub>6</sub>	l <sub>1</sub>	l <sub>2</sub>	l <sub>3</sub>
VDI 39	74 006	C1 - 30 x 20 x 70	30	70	35	17	20	28	38	70	10	30
	74 008	C1 - 40 x 25 x 85	40	85	42.5	20.5	25	32.5	48	85	12.5	30
	74 010	C1 - 50 x 32 x 100	50	100	50	25.5	32	35	60	100	16	40
	74 012	C1 - 60 x 40 x 125	60	125	62.5	32.5	32	42.5	62.5	125	16	40

**Aksiyal kater tutucu ters sol tip**  
*Axial - Toolholder inverted left*  
 Axial - Werkzeughalter links invertiert



Tutucu Kod No: Code No:		DIN 69880	d <sub>1</sub>	b <sub>1</sub>	b <sub>2</sub>	b <sub>3</sub>	h <sub>1</sub>	h <sub>5</sub>	h <sub>6</sub>	l <sub>1</sub>	l <sub>2</sub>	l <sub>3</sub>
VDI 39	74 054	C2 - 30 x 20 x 70	30	70	35	17	20	28	38	70	10	30
	74 056	C2 - 40 x 25 x 85	40	85	42.5	20.5	25	32.5	48	85	12.5	30
	74 058	C2 - 50 x 32 x 100	50	100	50	25.5	32	35	60	100	16	40
	74 060	C2 - 60 x 40 x 125	60	125	62.5	32.5	32	42.5	62.5	125	16	40

Sipariş Örneği / Ordering Example / Bestellbeispiel ab Lager : VDI 39 72 306 ( B7 - 30 x 20 x 40 )